

RXE-22A0 Series SBC

Features 产品特性

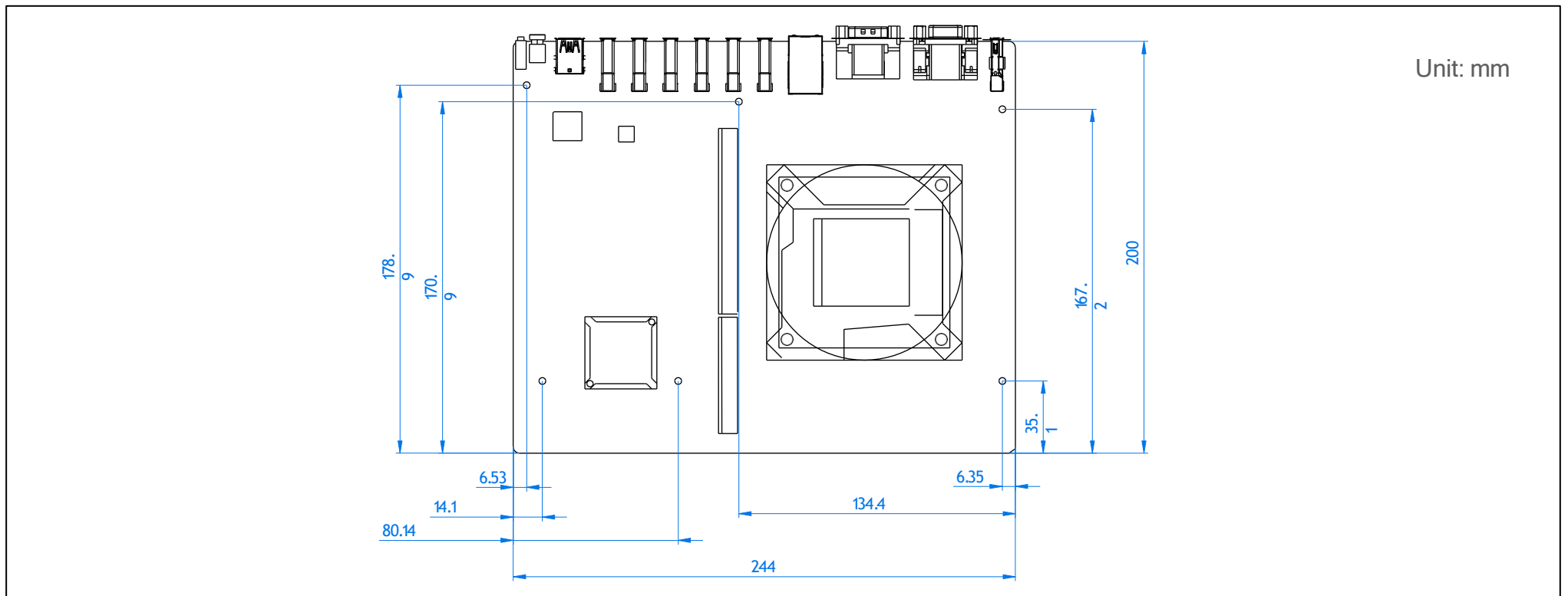
- ✓ Support Intel 10th Gen Comet Lake S Processors
- ✓ Max. 64GB DDR4 SO-DIMM
- ✓ Support DirectX 12.0, OpenGL 4.3, OpenCL 2.0
- ✓ 1VGA, 1DP, 1HDMI
- ✓ 2GbE LAN, 8USB3.0, 2RS-232/422/485
- ✓ 3M.2, 1SIM Nano, 4SATA3.0, 1 Internal USB2.0 Type A
- ✓ 1PCIe Gen3 x16 Slot, 1PCIe Gen2 x4 Slot
- ✓ Support Watchdog



Specifications 规格信息

ITEM	SPEC	RXE-22A0
Processor System	CPU	Comet Lake S
	TDP	65W MAX
	Socket	LGA1200
	Chipset	H420E/Q470
	BIOS	AMI 128Mbit SPI Flash
Memory	Technology	Supports Dual Channel DDR4
	Max. Capacity	64GB
	Socket	2 x 260 pin SO-DIMM
Ethernet	Interface	10/100/1000 Mbps
	Controller	GbE LAN1: Intel I219-LM, GbE LAN2 Intel I225-LV
	Connector	2 x RJ-45
SATA	Max Data Transfer	600 MB/s
	Channel	2
	RAID	0,1,5(Option, only Q470)
Rear I/O	DP	1 (Resolution up to 4096 x 2304 @ 60 Hz)
	HDMI	1 HDMI1.4 up to 4096x2160@30Hz
	VGA	1 Max Resolution up to 1920 x 1200@60Hz
	Ethernet	2
	USB	6 x USB3.0 Type A (USB 3.1 Gen 2) PCH Primary 2 x USB3.0 Type A
	Serial	2*RS-232/RS-485/RS-422
Internal Connectors	Serial	2*RS-232 PIN Header
	SATA	2, Support 7PIN +15PIN 2.5 Inch HD
	USB2.0	1 x USB2.0 Type A, 1 x USB2.0 PIN Header (9PIN)
Expansion	M.2 E-Key	1 x M.2 2230 Support Wi-Fi
	M.2 B-Key	1 x M.2 3052 Support 4G/5G (USB3.0)
	M.2 M-Key	1 x M.2 2280 Sata3.0, 1 x M.2 2280 NVME(Option, only Q470)
Expansion Slot	PCIe x16(Gen3)	1
	PCIe x4(Gen2)	1
Watchdog Timer	Output	System reset
	Interval	Programmable 1 ~ 255 sec
Power Requirement	Test Environment	Intel Core I7-10700 DDR4 16GB X2
Environment	Temperature	Operating 0 ~ 60 °C (32 ~ 140 °F)
		Non-Operating -40 ~ 85 °C (-40 ~ 185 °F)
	Humidity	Operating 40 °C @ 95% RH Non-condensing
		Non-Operating 60 °C @ 95% RH Non-condensing
Physical Characteristics	Dimensions (L x H)	244 x 200 mm

Dimensions 尺寸



Interface 接口

